

WELCOME TO STRUCTURES CONGRESS 2019

499782 – BUSINESS OF BIM DEBATE

David Aucoin, P.E.

Mike Bolduc, P.E.

Matt Buttimer

Kevin Casey, P.E., S.E.

Kristopher Dane, D.Eng. [Moderator]

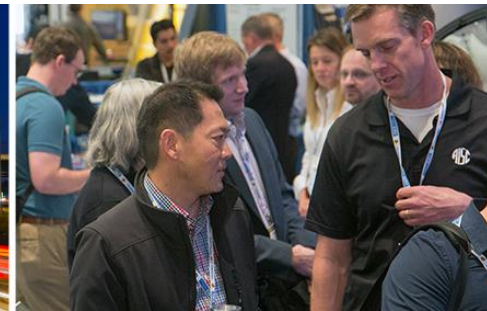
Andrew Gayer, P.E., S.E.

Dave Martin, P.E.



**STRUCTURES
CONGRESS 2019**

Orlando, FL | April 24–27



PLEASE REMEMBER THE ONLY WAY
TO RECEIVE PDH CREDITS IS IF YOU
SCAN YOUR BAR CODE BADGE AT
THE START OF EACH SESSION.



Structures Congress 2019

Orlando, FL | April 24-27

Outline

- **Introductions**
- **Current Challenges (25 mins)**
 - **Do we even need BIM?**
 - **Do we even need modelers?**
- **Future Challenges (25 mins)**
 - **How soon until BIM is the contract deliverable?**
 - **Who's paying for all of this?**



Panelists



Dave Aucoin, P.E.
PES Structural Engineers



Mike Bolduc, P.E.
Simpson Gumpertz & Heger



Matt Buttimer
Jezerinac Group



Kristopher Dane, D. Eng.
Thornton Tomasetti

Moderator



Kevin Casey, P.E., S.E.
BBM Structural Engineers



Andrew Gayer, P.E., S.E.
Jacobs Engineering



Dave Martin, P.E.
Degenkolb Engineers



Structures Congress 2019

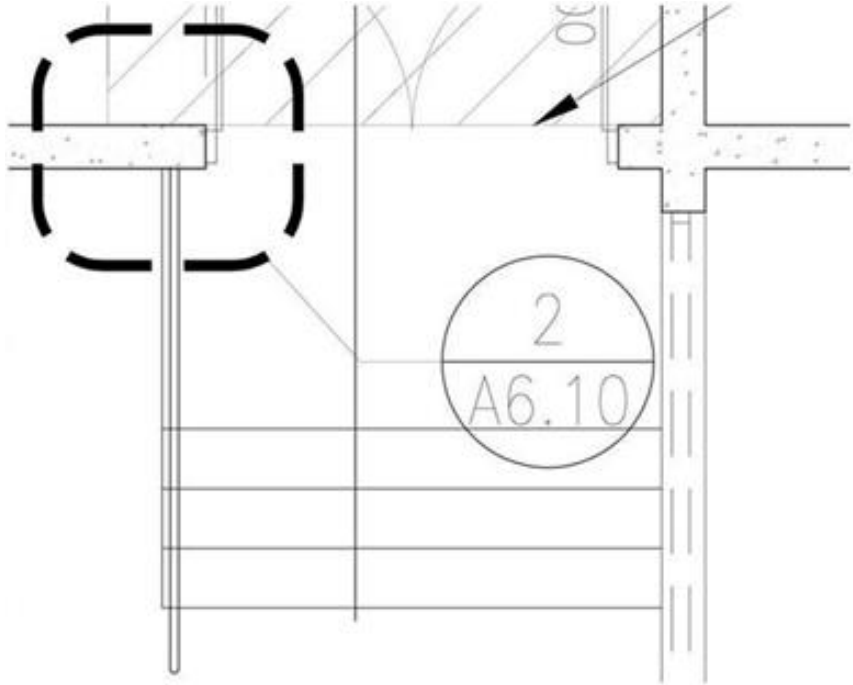
Orlando, FL | April 24-27

Current Challenges

- **Do we even need BIM?**
- **Do we even need modelers?**



Do we even need BIM?



Andrew Gayer, PE, SE
Jacobs Engineering



Matt Buttimer
Jezerinac Group



Structures Congress 2019

Orlando, FL | April 24-27

Do we even need modelers?



Dave Aucoin, PE
PES Structural Engineers



Kevin Casey, PE, SE
BBM Structural Engineers



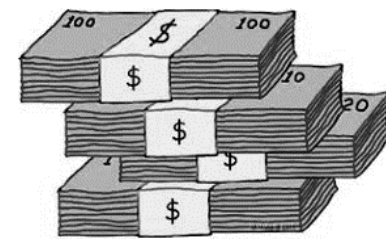
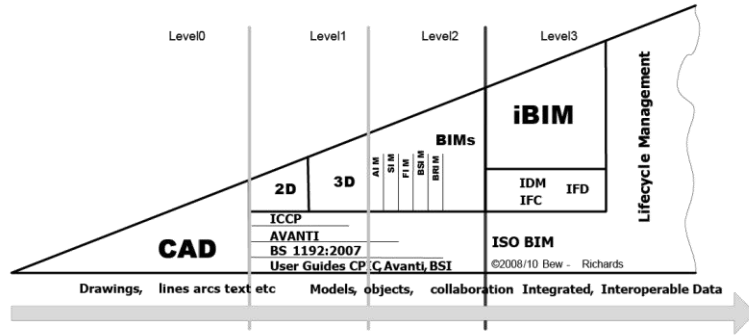
Future Challenges

- **How soon until BIM is the contract deliverable?**
- **Who's paying for all of this?**



Who's paying for all of this?

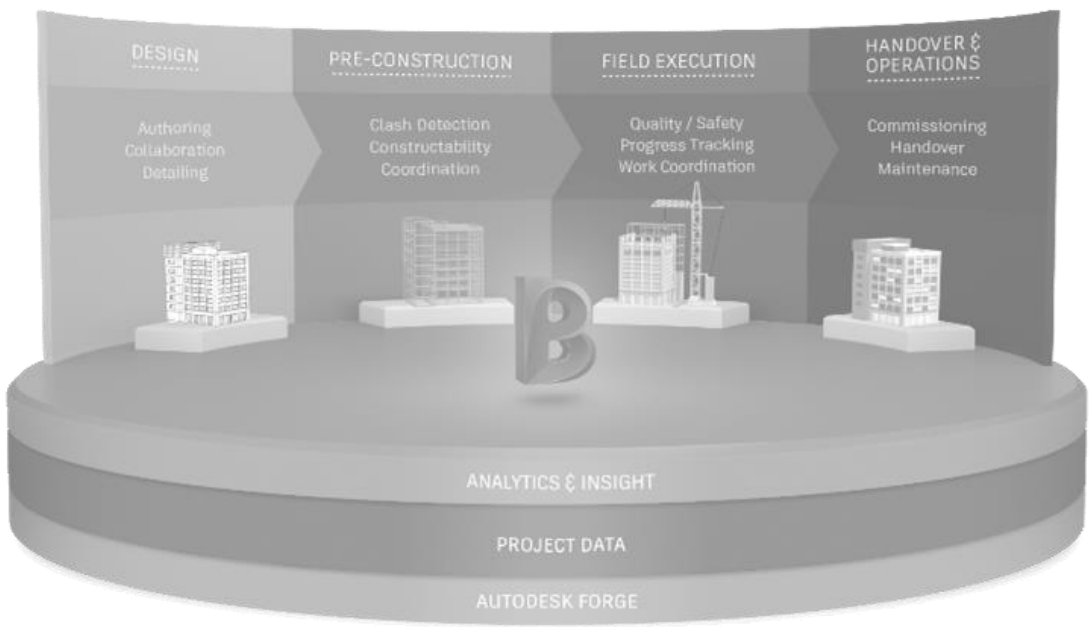
(software and for the value of the BIM deliverable)?



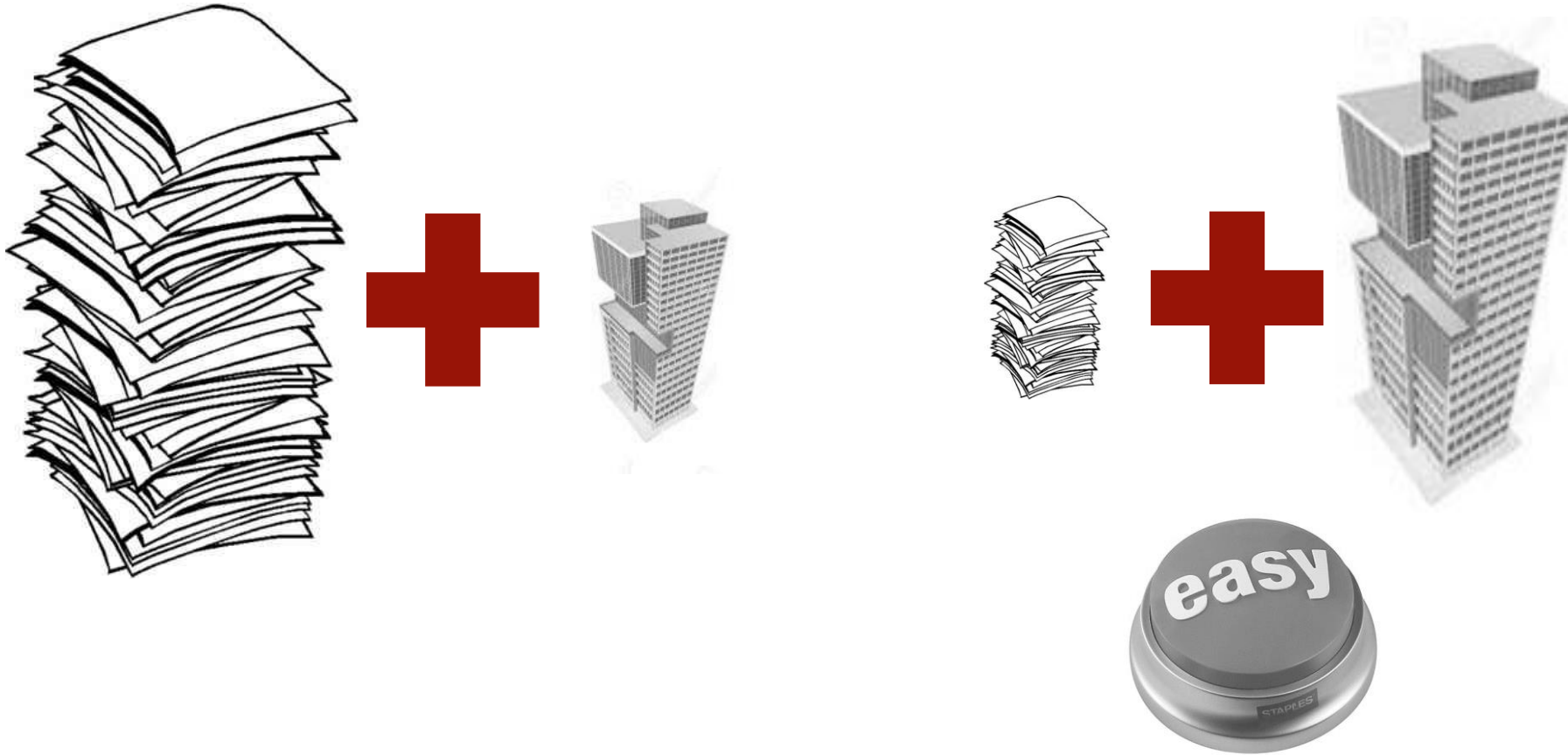
Dave Martin, PE
Degenkolb Engineers



Matt Buttimer
Jezerinac Group



How soon until BIM is the contract deliverable?



Dave Martin, PE
Degenkolb Engineers



Mike Bolduc, PE
Simpson Gumpertz & Heger



A Final Thought...

What would you do differently tomorrow, given this discussion?



Follow / Join

The screenshot shows the homepage of seibim.org. At the top, there is a navigation bar with links for HOME, SET CONFERENCE, RESOURCES, EVENTS, MEETINGS, BLOG, ABOUT US, and CONTACT US. Below the navigation bar, the word "HOME" is prominently displayed. The main content area features a banner for the "SEI Joint SEI-CASE Committee on BIM". The banner includes the text "Click here to visit the ASCE.org SEI page" and "Click here for committee application". Below this, there is a graphic for the "20 BIMFORUM BIM EXECUTION PLANNING GUIDE" and a call to action: "The Charles Pankow Foundation and BIMForum are asking for your input. Click here to take the BxP Guide Survey".

<http://seibim.org/>



Structures Congress 2019

Orlando, FL | April 24-27

THANK YOU FOR ATTENDING
STRUCTURES CONGRESS 2019

WE LOOK FORWARD TO SEEING YOU NEXT YEAR
STRUCTURES CONGRESS 2020, April 5-8
(Sunday- Wednesday schedule)
IN St. Louis, Missouri!



**STRUCTURES
CONGRESS 2019**

Orlando, FL | April 24-27

